

Schäffer



MULTIFUNCTIONAL LOADERS

Compact, powerful and flexible

SCHÄFFER MULTIFUNCTIONAL LOADER 1422

Since the 1950s, Schäffer has embodied the philosophy of replacing manual labour through the efficient use of machinery. The 1000 series seamlessly continues this tradition. They are the most compact loaders ever built by Schäffer. Gentle on the ground, powerful and, thanks to a large choice of attachments, extremely versatile. The ideal all-rounders that facilitate your day-to-day work.



See the 1422 in action:
schaeffer.de/en/1422



MULTIFUNCTIONAL LOADER FULL OF ACTION



1422



ADVANTAGES AT A GLANCE



14e
Also available as an electric version!

1422: DEVELOPED FOR VERSATILE TASKS

The Schäffer 1422 is the compact multifunctional loader within Schäffer's wide-ranging portfolio. This pivot-steer loader is the perfect machine for maximum performance when space is at a premium. Thanks to its compact design, robust working hydraulics and an extensive range of attachments, the 1422 ensures flexible use throughout the year. As a 14-series loader, it is also available as a full-electric drive version.

An operating weight of just 1,250 kg makes the 1422 particularly gentle on the ground. Featuring an overall height of just 1.99 m and a minimum width of 0.89 m, the loader fits easily through narrow and low entryways. Moreover, the 1422 can be easily transported on the back of a car trailer.

The versatility of the 1422 is its strength: Whether it is gardening and landscaping, construction work, maintaining large green spaces and leisure parks, municipal applications or winter services – this compact loader is a real all-rounder. It is also perfectly suited for caretaker duties and for use in the tourism sector, nurseries, cemetery spaces and private areas.

Powered by a 16.2 kW / 22 HP Kubota engine, the 1422 meets the requirements of the Stage V emissions standards without the need for exhaust gas aftertreatment. The hydrostatic drive propels the loader to a speed of 16 kph. With a maximum tipping load of 800 kg and a lifting height of 2.23 m, the 1422 is a real all-rounder. Boasting an oil flow rate of 28 l/min – the hydraulic pump provides ample power for demanding tools like mulchers or sweeping brushes.

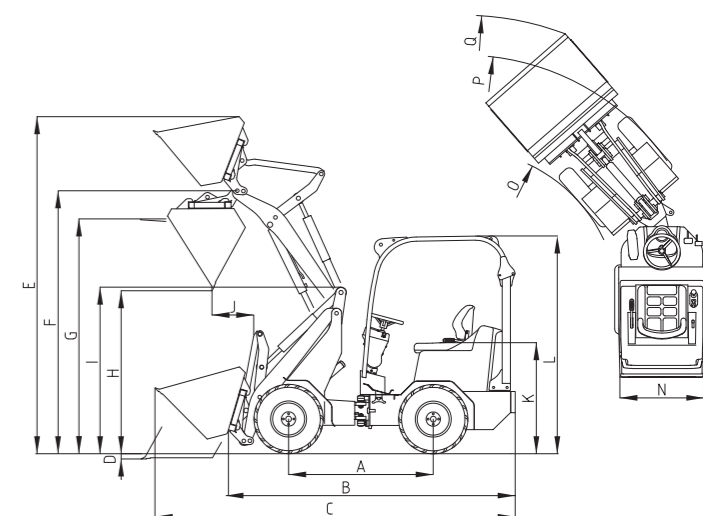
1422 Technical data, dimensions



1422	
Engine	3-cylinder diesel engine Kubota D902, 16.2 kW (22 HP)
Exhaust gas treatment / emission level	- / V
Traction hydraulics	Hydrostatic (accelerator pedal)
Tyres	23x8.5-12 SKD Option I 23x8.5-12 AS/MultiTrac Option II 23x10.5-12 AS/MultiTrac
Service braking system	hydrostatic
Parking brake	mechanical drum brake
Working hydraulics Output/pressure	Delivery rate: 28 l/min Operating pressure: 200 bar
Steering	fully hydraulic articulated-swivel steering
Operating weight	1,250 kg
Lifting capacity	810 kg
Tipping load, straight ¹	
Pallet fork	600 kg
Bucket	800 kg
Tipping load, articulated ¹	
Pallet fork	450 kg
Bucket	580 kg
Payload	
Pallet fork, even ground ²	360 kg
Pallet fork, uneven ground ²	270 kg
Bucket ³	290 kg
Axles	Original Schäffer axles, 5 wheel nut rim
Speed	16 kph
Electric system	Operating voltage: 12 V
Fill quantities	Fuel: 25 l Hydraulic oil: 22 l
Sound pressure level LpA	84 db(A)
Sound power level guaranteed LwA equivalent LwA	101 db(A) 100 db(A)
Hand/arm vibration ⁴	< 2.5 m/s ²
Total body vibration ⁴	< 0.5 m/s ²

¹ according to ISO 8313 ² according to EN 474-3 ³ according to ISO 14397-1 ⁴ according to ISO 8041
Tyre dimensions and additional equipment change the operating weight, tipping load and payload.

1422		
A	Wheelbase [mm]	1,345
B	Chassis length [mm]	2,450
C	Overall length with standard bucket [mm]	3,050
D	Digging depth [mm]	80
E	Max. working height [mm]	2,635
F	Max. bucket pivot point. [mm]	2,230
G	Loading height with pallet forks [mm]	2,020
H	Max. dumping height [mm]	1,510
I	Front end height [mm]	1,390
J	Dumping width [mm]	195
K	Seat height [mm]	1,010
L	Overhead guard height [mm] Cab height [mm]	1,990
N	Overall width [mm]	890 - 1,060
O	Inner turning radius [mm]	970
P	Outer turning radius [mm]	1,875
Q	Outer radius with standard bucket [mm]	2,222





MADE BY
Schäffer

Schäffer offers a programme with more than 30 different models, each adapted to your needs. Our loaders' range of operations is versatile: whether in agriculture or construction, gardening and landscaping, industrial and commercial applications, in stabling or warehouse management – Schäffer is always your best choice.

The way Schäffer loaders are developed, produced and serviced is unique. The real difference is our experience of more than 60 years. We think of the end user first, because we seek to make your job safer, more comfortable and more profitable. Additionally, at our Erwitte location in Germany we rely on state-of-the-art development and production technologies. Ultimately, it is our employees who continuously develop new solutions, in close contact with the end user. Years of company service together with an enduring spirit form the basis for the special competence and for our global success.

The Schäffer name does not just mean unique product quality. It also stands for safety and optimal service that we guarantee both in Germany, Europe and around the globe.

YOUR DEALER:

Purchasing a Schäffer loader is the beginning of a long-term relationship. Your machine will only remain a 100% genuine Schäffer if you use original replacement parts. Only then will it guarantee the reliability you need, and have the right to expect. We offer you and our service partners a 24 hour delivery service – 7 days a week, 365 days a year.



0-7/04-25/WD. Technical changes reserved. Dimensions are approximate. In some cases, illustrations show models with custom designs.