

# Schäffer



## **NEW: 1622**

### **Multifunctional compact loader**

- Extremely compact dimensions, high hydraulic output and a wide range of attachments
- 3-cylinder diesel engine Kubota D902, 16.2 kW (22 HP)
- Hydrostatic all-wheel drive with accelerator pedal
- Tyres 23x8.5-12 AS, offset +60
- Genuine Schäffer axles
- Working hydraulics: 28 l/min.
- Quick-change frame SWM (mechanically)
- Operating weight: 1,250 kg
- Height: 1,990 mm, Width: 890 / 1,060 mm
- Length with standard bucket: 3,050 mm
- Tipping load, straight with bucket: 800 kg



# 1622

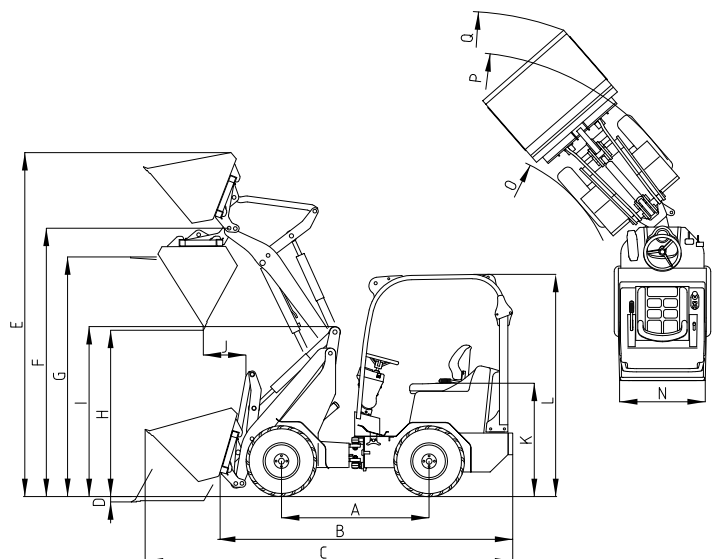
## Technical data, dimensions



1622	
Engine	3-cylinder diesel engine Kubota D902, 16.2 kW (22 HP)
Exhaust gas treatment / emission level	- / V
Traction hydraulics	Hydrostatic (accelerator pedal)
Tyres	23 x 8.5 - 12 AS Option I 23 x 8.5 - 12 SKD/MultiTrac Option II 23 x 10.5 - 12 AS/MultiTrac
Service braking system	Hydrostatic
Parking brake	Mechanical drum brake
Working hydraulics Output/pressure	Delivery rate: 28 l/min Operating pressure: 200 bar
Steering	Fully hydraulic articulated-swivel steering
Operating weight	1,250 kg
Lifting capacity	810 kg
Tipping load, straight <sup>1</sup> pallet fork bucket	600 kg 800 kg
Tipping load, articulated <sup>1</sup> pallet fork bucket	450 kg 580 kg
Payload Pallet fork, even ground <sup>2</sup> Pallet fork, uneven ground <sup>2</sup> Bucket <sup>3</sup>	360 kg 270 kg 290 kg
Axles	Original Schaeffer axles, 5 wheel nut rim
Speed	16 km/h
Electric system	Operating voltage: 12 V
Tank capacity	Fuel: 25 l Hydraulic oil: 22 l
Sound pressure level LpA	84 dB(A)
Sound power level guaranteed LwA equivalent LwA	101 db(A) 100 db(A)
Hand/arm vibration <sup>4</sup>	< 2.5 m/s <sup>2</sup>
Total body vibration <sup>4</sup>	< 0.5 m/s <sup>2</sup>

<sup>1</sup> acc. to ISO 8313 <sup>2</sup> acc. to EN 474-3 <sup>3</sup> acc. to ISO 14397-1 <sup>4</sup> acc. to ISO 8041  
Tyre dimensions and additional equipment can change the operating weight, tipping load  
and payload.

1622		
<b>A</b>	Wheelbase [mm]	1,345
<b>B</b>	Chassis length [mm]	2,450
<b>C</b>	Overall length with standard bucket [mm]	3,050
<b>D</b>	Digging depth [mm]	80
<b>E</b>	Reach [mm]	2,635
<b>F</b>	Max, bucket pivot point, [mm]	2,230
<b>G</b>	Loading height with pallet forks [mm]	2,020
<b>H</b>	Max, dumping height [mm]	1,510
<b>I</b>	Front end height [mm]	1,390
<b>J</b>	Dumping width [mm]	195
<b>K</b>	Seat height [mm]	1,010
<b>L</b>	Protective roof height [mm]	1,990
<b>N</b>	Overall width [mm]	890 / 1,060
<b>O</b>	Inner turning radius [mm]	970
<b>P</b>	Outer turning radius [mm]	1,875
<b>Q</b>	Outer radius with standard bucket [mm]	2,222



0.5/1.2/WD. Technical changes reserved. Dimensions are approximate. In some cases, illustrations show models and/or attachments with custom designs.