

Schäffer



NEW: 23e T

#telectric

World's first electric telescopic wheel loader

- **100 % emission-free:** no exhaust fumes, no noise
- **Efficient high-voltage technology:** 9,7 kW electric motor for the working hydraulics and 21 kW drive motor
- **31,3 kWh power battery system:** the most powerful lithium-ion battery in this class
- Up to **8 hours operating time** when working without hydraulically demanding attachments, **additional up to 1.5 hours** when using EcoMode
- **Two charging options:** On board-System, 230 V / 16 A or charging with **11 kW Wallbox: Charging the battery to 80 % in just 2,2 hours**
- **Battery life warranty: 5,000 operating hours or 5 years**, whichever comes first
- **Energy recuperation:** automatic charging of the battery, e. g. during braking processes
- **No memory effekt:** recharging possible at any time
- **Significant savings:** reduced maintenance costs and lower operating costs compared to diesel machine, higher overall efficiency
- **Safe temperature regulation:** reliable water cooling of the entire system
- **20 km/h:** rapid and powerful acceleration thanks to electric direct drive
- **Hill-Hold function:** 'start up assistant' to make hillstarts easier
- **High reach** with a lifting height of 3.72 m
- **Powerful working hydraulics:** 42 l/min.

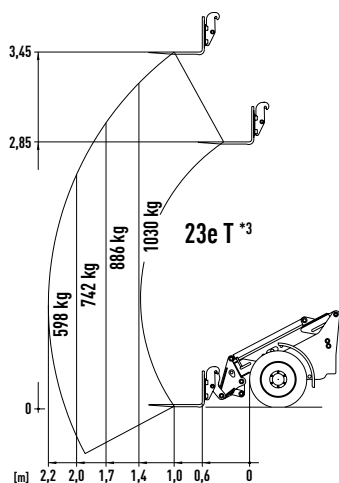
Li-Ion 

23e T

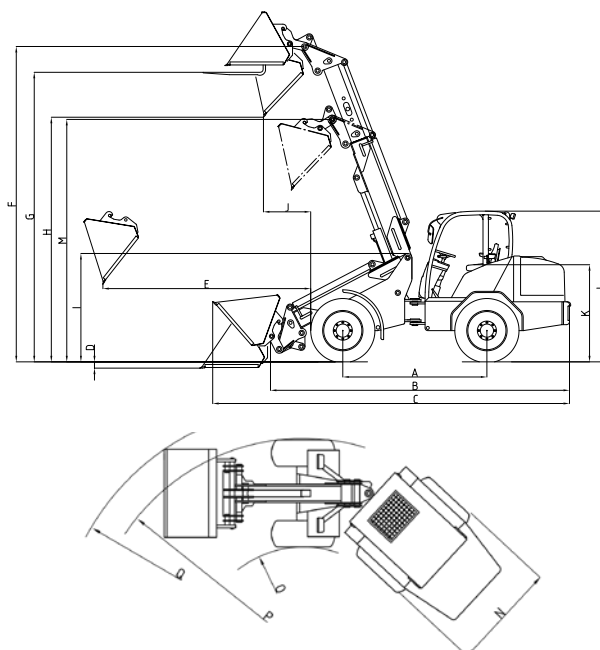
Technical data, dimensions



23e T	
Engines	Drive: 21 kW Working hydraulics: 9.7 kW
Drive unit	4-wheel-drive, fully electric
Battery	Lithium-Ion, 240 V; 31.3 kWh
Charging system	On board charger, 3 kW/230 V/16 A Wallbox, 11 kW
Tyres	31x15.5-15 AS Option: 31x15.5-15 SKD
Service braking system	Multi-disc brake running in oil bath
Parking brake	
Working hydraulics Output/pressure	Delivery rate: 42 l/min Operating pressure: 180 bar
Steering	Fully hydraulic articulated/swivel steering
Operating weight	2,750 / 2,815 kg with cab
Lifting capacity	1,600 kg
Tipping load, straight ¹	1,275 kg
Axles	Original Schäffer axles, 6 wheel nut rim
Speed	20 km/h
Electric system	Operating voltage: 12 V
Tank capacity	Hydraulic oil: 30 l
Sound pressure level LpA	64 dB(A)
Sound power level guaranteed LwA equivalent LwA	99 db(A) 90 db(A)
Hand/arm vibration ²	< 2.5 m/s ²
Total body vibration ²	< 0.5 m/s ²



23e T		
A	Wheelbase [mm]	1,870
B	Chassis length [mm]	3,900
C	Overall length with standard bucket [mm]	4,700
D	Digging depth [mm]	90
E	Reach [mm]	1,570
F	Max. bucket pivot point [mm]	3,720
G	Loading height with pallet forks [mm]	3,470
H	Max. dumping height [mm]	3,010
I	Front end height [mm]	1,580
J	Dumping width [mm]	820
K	Seat height [mm]	1,160
L	Cab height [mm] Protective roof height [mm]	2,140 2,190
M	Swivelling point, telescopic arm retracted [mm]	3,100
N	Overall width [mm]	1,410 - 1,590
O	Inner turning radius [mm]	1,150
P	Outer turning radius [mm]	2,650
Q	Outer radius with standard bucket [mm]	2,950



¹ boom horizontal, not extended, with pallet fork (acc. to ISO 14397)

² according to ISO 8041

³ using forks on stable underground (according EN 474-3)

Tyre dimensions and additional equipment can change the operating weight, tipping load and payload.