



Multifunctional tool carrier 1422 SGT

- Very compact dimensions, high hydraulic output and a wide range of attachments
- 3-cylinder diesel engine Kubota D902, 16.2 kW (22 HP)
- Hydrostatic all-wheel drive with accelerator pedal
- Tyres 23x8.5-12 SKD, offset +60
- Genuine Schäffer axles
- Working hydraulics standard / option: 28 / 40 l/min. (Schäffer Multi-High-Flow)
- Quick-change frame SWM (mechanically)
- Operating weight: 1,250 kg
- Height: 1,990 mm, Width: 890 / 1,060 mm
- Length with standard bucket: 3,050 mm
- Tipping load, straight with bucket: 800 kg



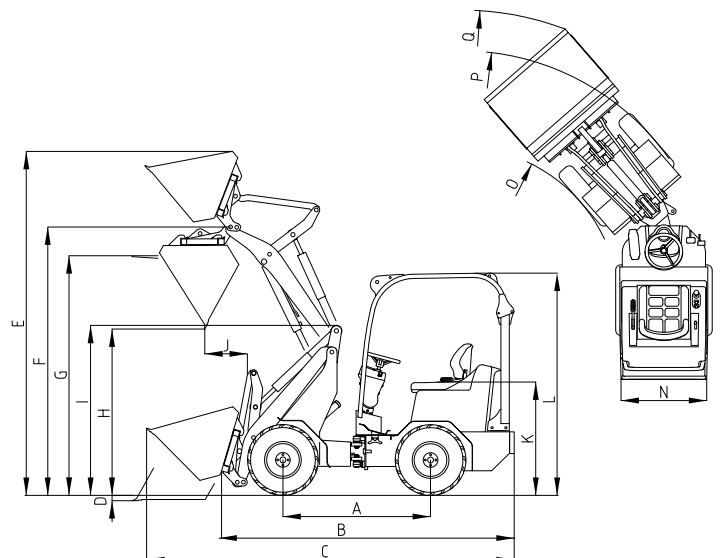
1422 SGT

Technical data, dimensions



1422 SGT	
Engine	3-cylinder diesel engine Kubota D902, 16.2 kW (22 HP)
Exhaust gas treatment / emission level	- / V
Traction hydraulics	Hydrostatic (accelerator pedal)
Tyres	23 x 8.5 - 12 SKD Option I 23 x 8.5 - 12 AS/MultiTrac Option II 23 x 10.5 - 12 AS/MultiTrac
Service braking system	Hydrostatic
Parking brake	Mechanical drum brake
Working hydraulics Output/pressure	Delivery rate: from 28 l/min Operating pressure: 200 bar
Steering	Fully hydraulic articulated- swivel steering
Operating weight	1,250 kg
Lifting capacity	810 kg
Tipping load, straight ¹ pallet fork bucket	600 kg 800 kg
Tipping load, articulated ¹ pallet fork bucket	450 kg 580 kg
Payload Pallet fork, even ground ² Pallet fork, uneven ground ² Bucket ³	360 kg 270 kg 290 kg
Axles	Original Schaeffer axles, 5 wheel nut rim
Speed	16 km/h
Electric system	Operating voltage: 12 V
Fill quantities	Fuel: 25 l Hydraulic oil: 22 l
Sound pressure level LpA	84 dB(A)
Sound power level guaranteed LWA equivalent LWA	101 db(A) 100 db(A)
Hand/arm vibration ⁴	< 2.5 m/s ²
Total body vibration ⁴	< 0.5 m/s ²
MHF	40 l/min. working hydraulics optional

1422 SGT		
A	Wheelbase [mm]	1,345
B	Chassis length [mm]	2,450
C	Overall length with standard bucket [mm]	3,050
D	Digging depth [mm]	80
E	Reach [mm]	2,635
F	Max, bucket pivot point, [mm]	2,230
G	Loading height with pallet forks [mm]	2,020
H	Max, dumping height [mm]	1,510
I	Front end height [mm]	1,390
J	Dumping width [mm]	195
K	Seat height [mm]	1,010
L	Protective roof height [mm]	1,990
N	Overall width [mm]	890 / 1,060
O	Inner turning radius [mm]	970
P	Outer turning radius [mm]	1,875
Q	Outer radius with standard bucket [mm]	2,222



¹ acc. to ISO 8313 ² acc. to EN 474-3 ³ acc. to ISO 14397-1 ⁴ acc. to ISO 8041
Tyre dimensions and additional equipment can change the operating weight, tipping load and payload.

X.0104.23/MD. Technical changes reserved. Dimensions are approximate. In some cases, illustrations show models and/or attachments with custom designs.